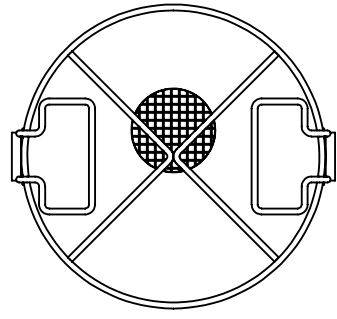
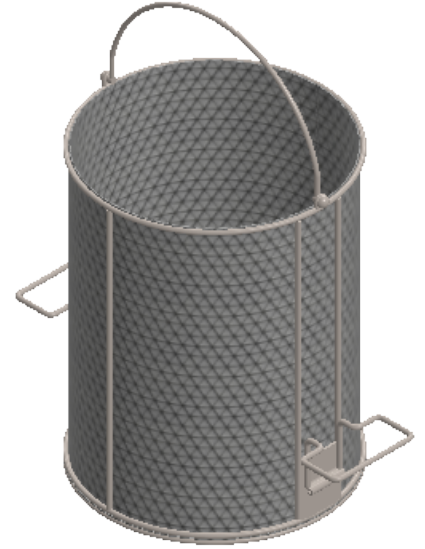
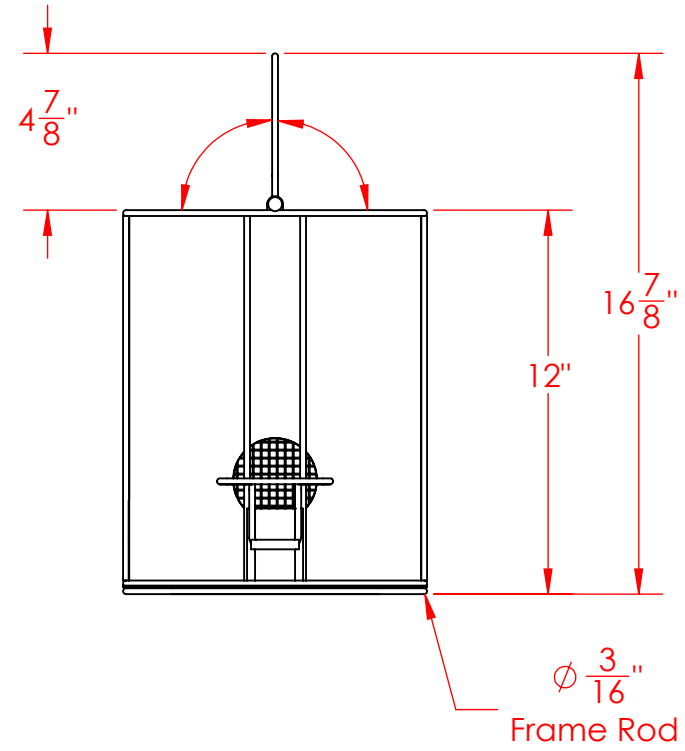
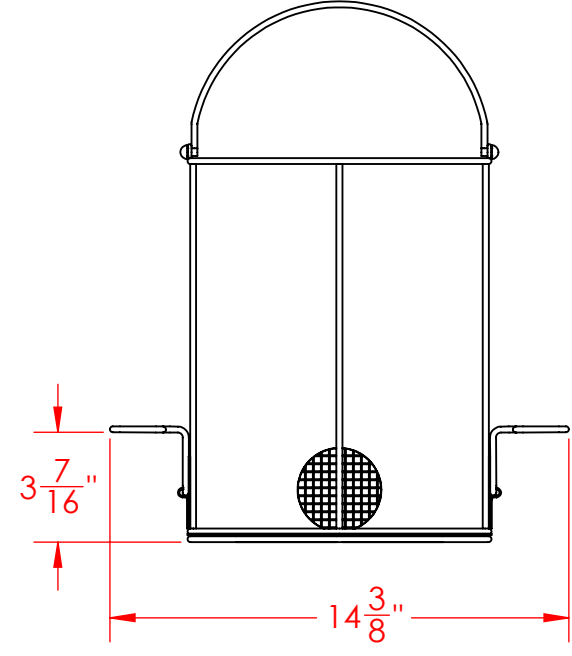
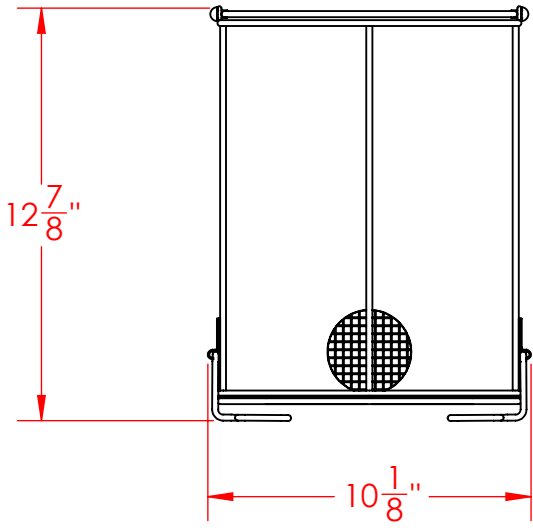
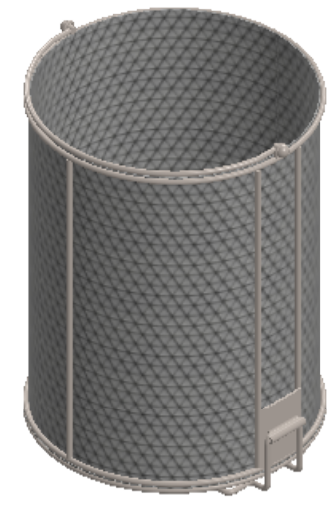
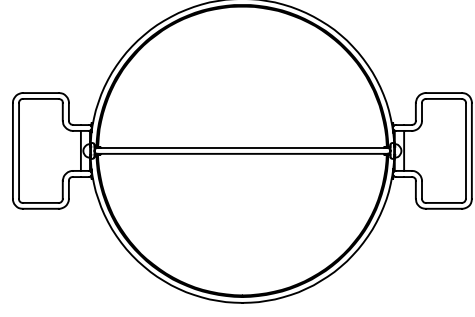
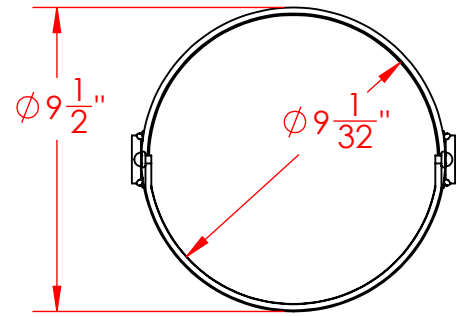


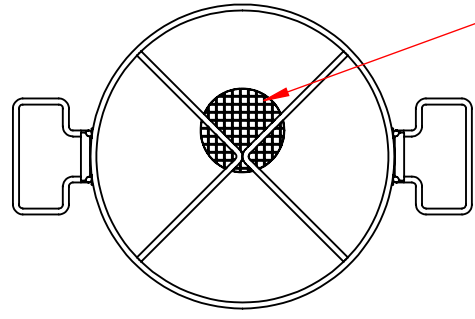
8 7 6 5 4 3 2 1

D  
C  
B  
A

D  
C  
B  
A



FEET IN/HANDLE DOWN



FEET OUT/HANDLE UP

Lined Bottom and Sides with 4 Mesh x .032" Welded Wire (.218" Openings, 76% Open Area)

Sized to fit a standard 5 gallon plastic bucket

UNLESS OTHERWISE SPECIFIED:  
 DIMENSIONS ARE IN INCHES  
 TOLERANCES:  
 FRACTIONAL ± 1/16"  
 ANGULAR: ± 5 DEG.  
 TWO PLACE DECIMAL ±0.03  
 THREE PLACE DECIMAL ±0.015

EST WGT  
 2.7 lbs.  
 MATERIAL  
 304 Stainless Steel  
 FINISH  
 Natural

Dip and Drain Basket: 9-1/2 Dia. x 12H, 304 SS, Swinging Round Loop Handle, Mesh: 4 x .032

SIZE **B** DWG. NO. DND-095RND120-C04S

**PROPRIETARY AND CONFIDENTIAL**  
 THE INFORMATION CONTAINED IN THIS DRAWING IS THE SOLE PROPERTY OF THREE M TOOL. ANY REPRODUCTION IN PART OR AS A WHOLE WITHOUT THE WRITTEN PERMISSION OF THREE M TOOL IS PROHIBITED.

8 7 6 5 4 3 2 1